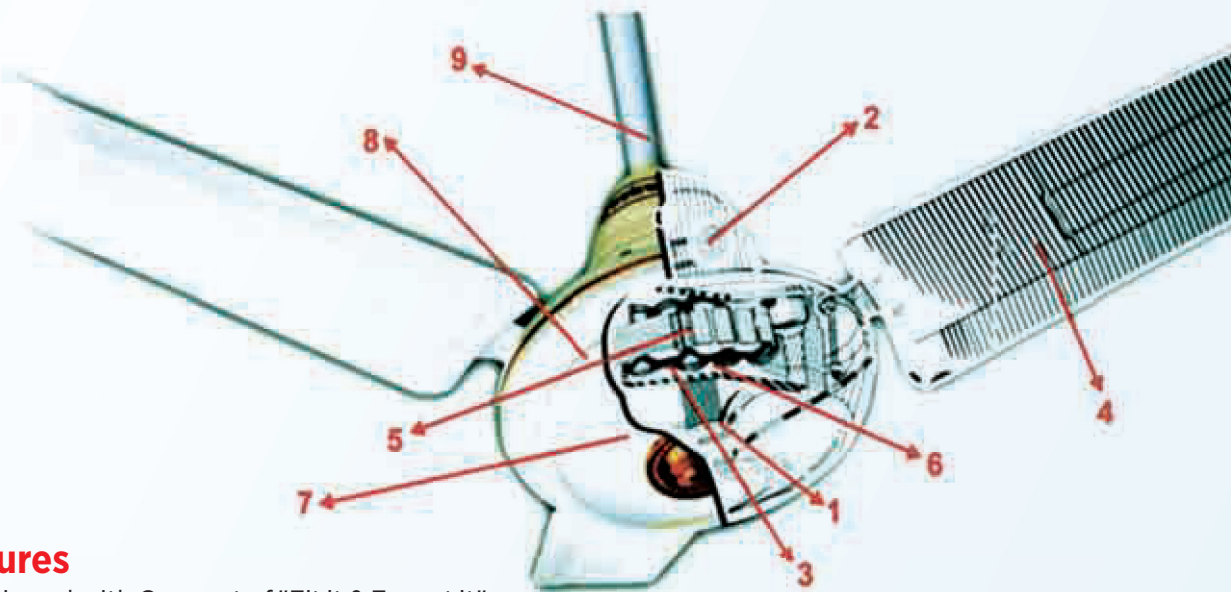


CEILING FAN

SPECIAL FEATURES



Features

- Designed with Concept of "Fit it & Forget it"
- Noise free performance.
- Designed for less Consumption of Electricity.
- Designed for Longer & Trouble free performance.
- Complete Manufacturing Process in-house.
- Quality checked at Three stages:
 - Incoming Raw Material
 - During the Process
 - Final Inspection.
- Ultimate Designed, Manufactured, Delivered & Serviced for Customer's delight.

Declared performance based on voltage Range of 220-240 Volt 50 Hz Single Phase AC supply. Subject to Manufacturing Tolerance.

 <p>Stamping</p> <ul style="list-style-type: none"> • Bhushan/Surya Equivalent Make • Cold Rolled Cold Annealed (CRCA) • Carbon <0.07% 	 <p>Stator Rotar Gap</p> <ul style="list-style-type: none"> • Maintained at Zero-Zero Level 	 <p>Aluminium Bodies</p> <ul style="list-style-type: none"> • Pressure Die Casted from LM 24 Grade 	 <p>Paint</p> <ul style="list-style-type: none"> • Baked at 180°C • Anti Ageing • Scratch Proof 	 <p>Shows/Rings</p> <ul style="list-style-type: none"> • Fixed with Screw/Soldering 	 <p>Motor</p> <ul style="list-style-type: none"> • Consumes 55 Watts • Starts at 55 Volts • 365 RPM
 <p>PP Connector</p> <ul style="list-style-type: none"> • Protects Winding 	 <p>Double Ball Bearing</p> <ul style="list-style-type: none"> • Friction Free 	 <p>Grease</p> <ul style="list-style-type: none"> • Molybedinum based • -20 to 130°C • Drop Point 180°C 	 <p>Capacitor</p> <ul style="list-style-type: none"> • 9 Micron Thick Film • Japanese Film • Inverter Compatible 	 <p>Copper Wire</p> <ul style="list-style-type: none"> • 99.99% Pure • F 35 Class Insulation • Computerized automatic winding 	 <p>Aluminum Blades</p> <ul style="list-style-type: none"> • Balco/Equivalent make • 1/1.1mm Thick • Uniform Thickness • Pure Sheet
 <p>Hanging Rod</p> <ul style="list-style-type: none"> • 11" Long • 16 SWG • For Better Air Delivery 	 <p>Canopies</p> <ul style="list-style-type: none"> • Metallic • Unbreakable • With Nut 	 <p>Varnish Dipped</p> <ul style="list-style-type: none"> • Stator / Winding Dipped in Varnish & Baked 	 <p>Shackle</p> <ul style="list-style-type: none"> • Strong & Large • Firm Grip 	<ul style="list-style-type: none"> • The best-seller and most elegant fan comes with wider and dynamically balanced blade which ensures maximum air delivery. • Low temperature rise. • Maximum peak velocity due to strong motor. 	